

1

2

3

4

5

6

A

B

C

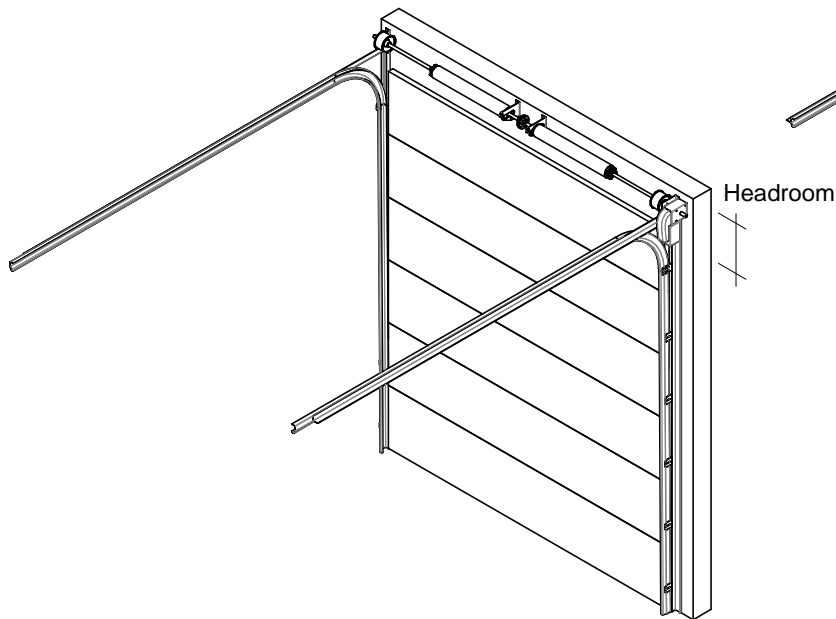
D

A

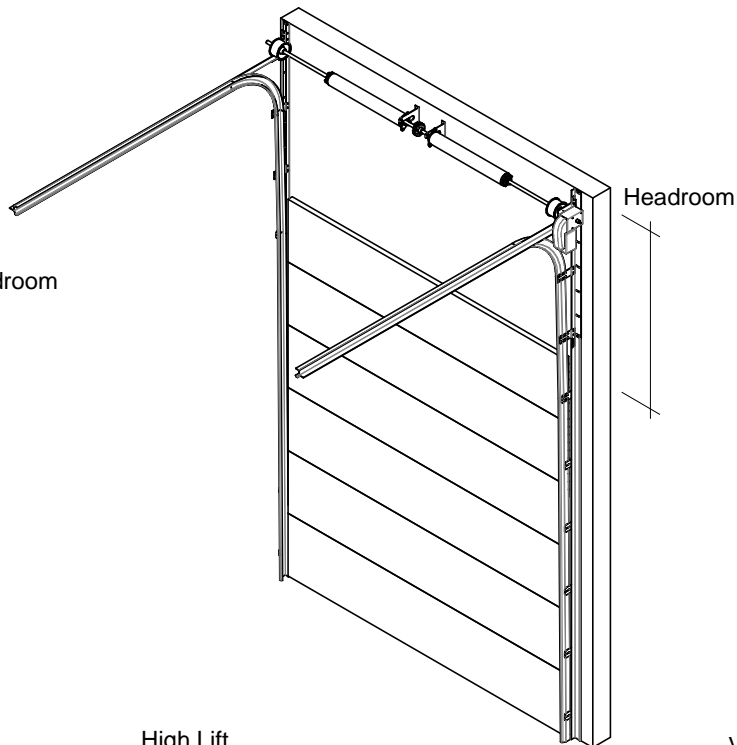
B

C

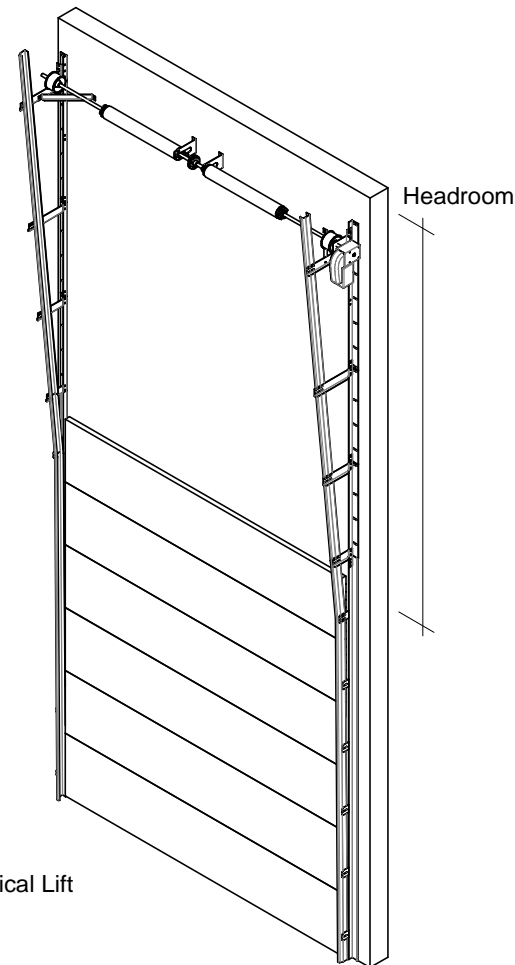
D



Standard Lift



High Lift  
(vertical tracks go up 1400mm  
before coming back)



Vertical Lift

Drawn by  
ANDY BRYANT

Checked by  
-

Approved by  
-

Date  
04-Aug-2010

Scale  
NTS - A4 L

THIS DRAWING IS INTELLECTUAL PROPERTY OF:



586 KAKORAI VALLEY RD, DUNEDIN, NEW ZEALAND  
All product designs are subject to copyright and cannot be copied in whole or part.

# SECTIONAL DOOR

## TRU-THERM

Edition  
1.0

Sheet  
-

1

2

3

6