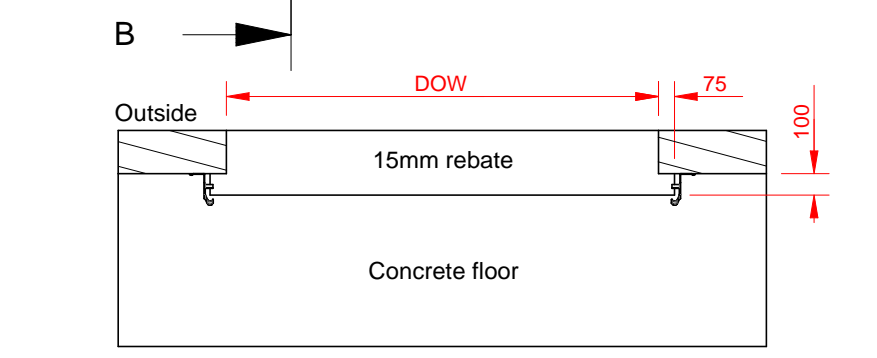
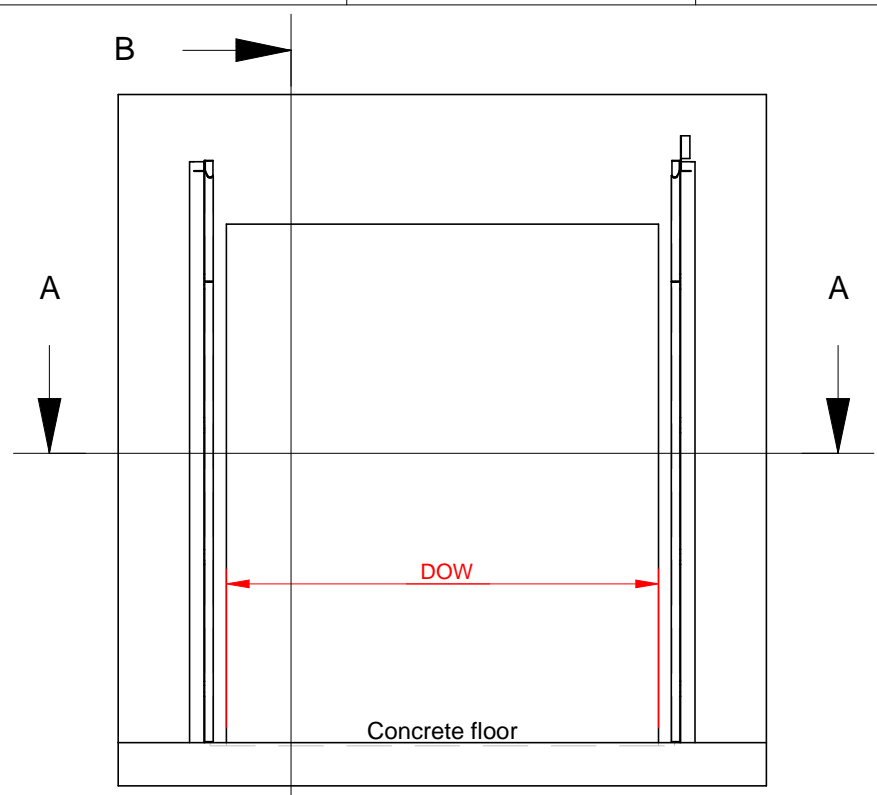
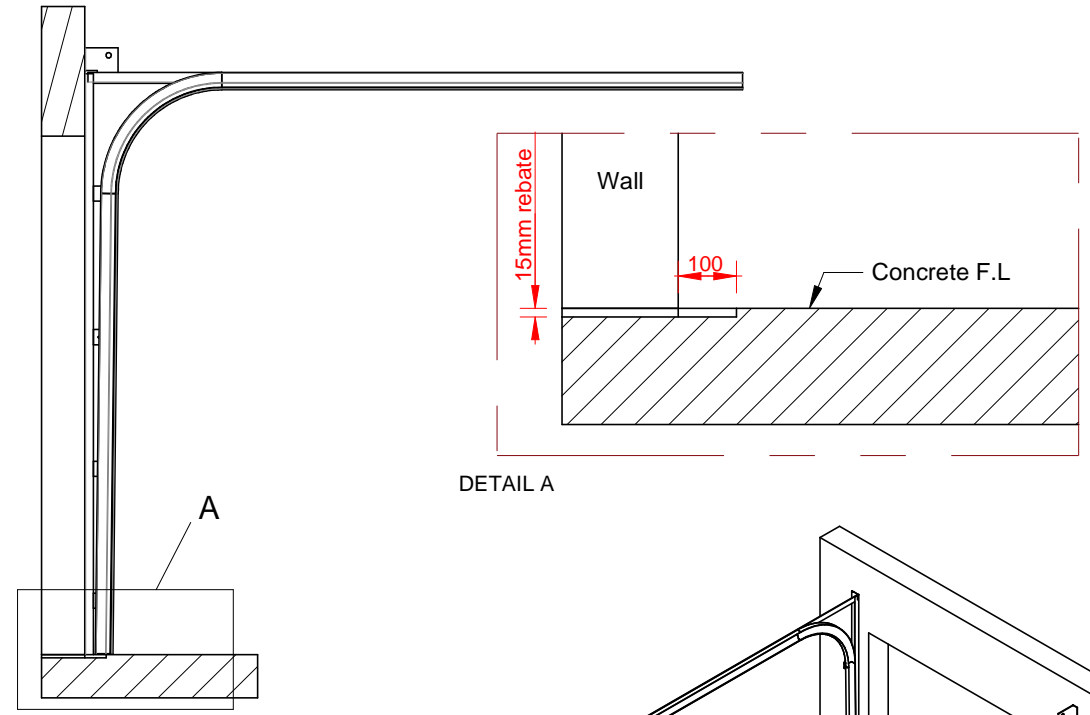


1 2 3 4 5 6

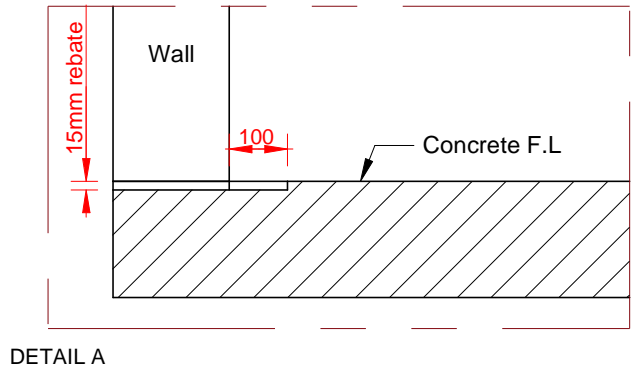
A
B
C
D



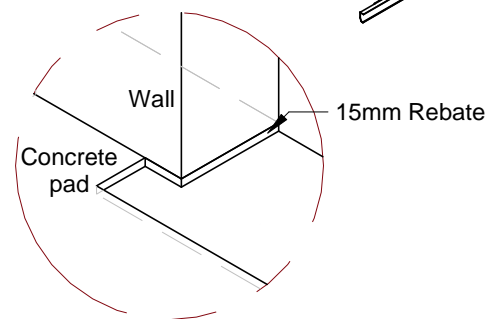
SECTION A-A



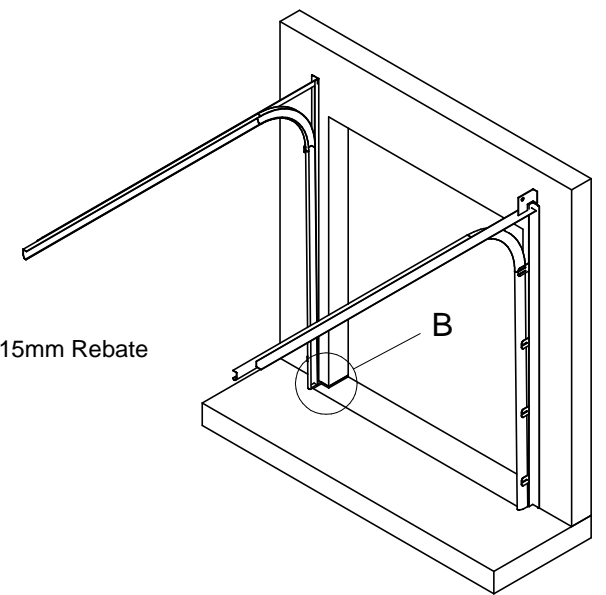
SECTION B-B



DETAIL A



DETAIL B



Drawn by SCOTT TAYLOR	Checked by -	Approved by -	Date 03-Aug-2010	Scale NTS - A4 L
<p>THIS DRAWING IS INTELLECTUAL PROPERTY OF:</p> <p>TBI TRU-BILT INDUSTRIES</p> <p>586 KAIKORAI VALLEY RD, DUNEDIN, NEW ZEALAND</p> <p><small>All product designs are subject to copyright and cannot be copied in whole or part.</small></p>		<p>CONCRETE REBATE</p>		
<p>TRU-THERM</p>			<p>Edition 1.0</p>	<p>Sheet -</p>

1 2 3 4 5 6