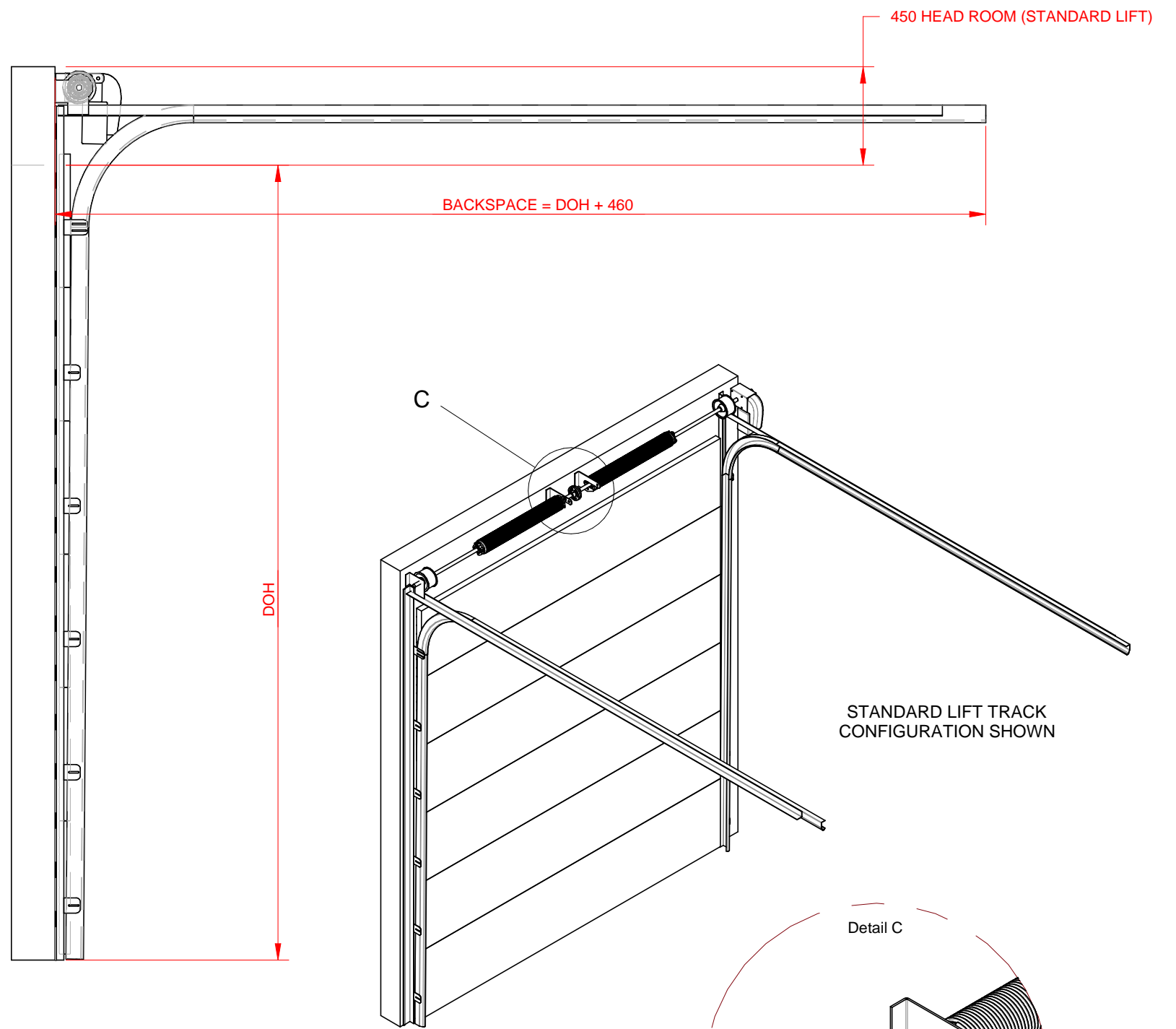
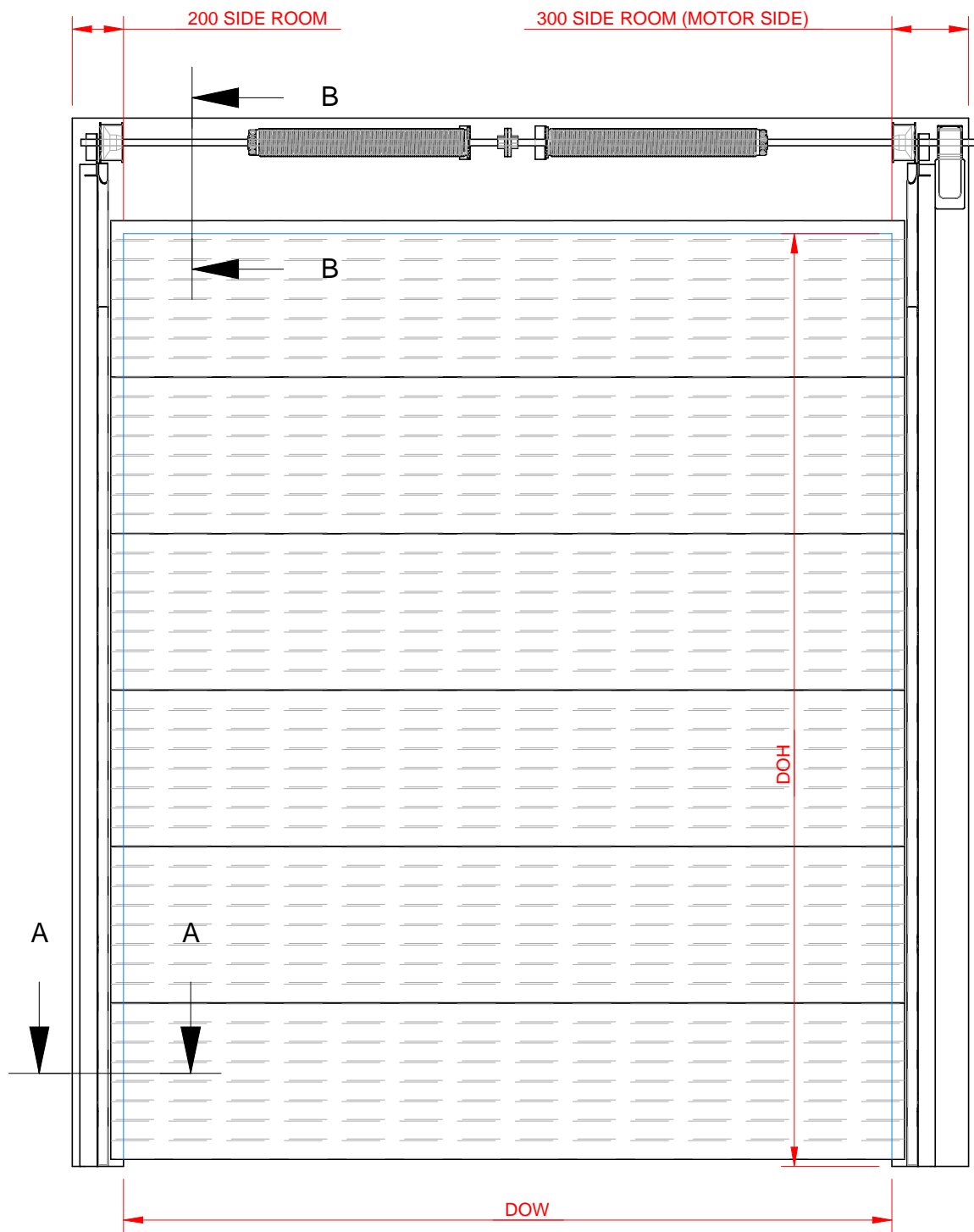


1 2 3 4 5 6 7 8

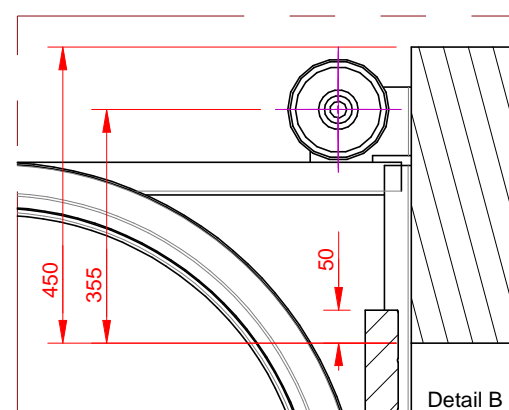
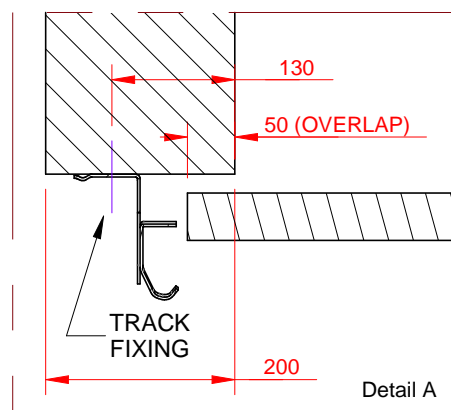
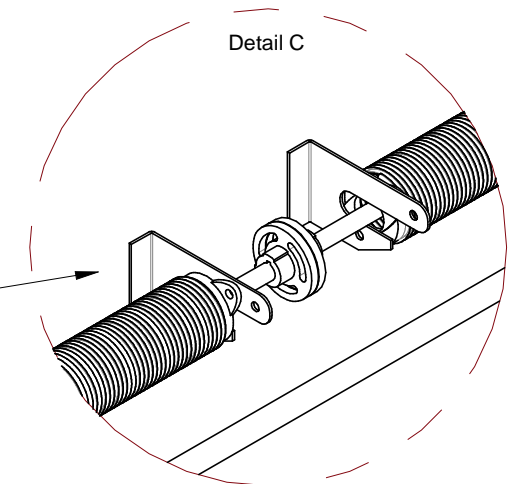
A
B
C
D
E
F

A
B
C
D
E
F



STANDARD LIFT TRACK CONFIGURATION SHOWN

QUANTITY OF SPRING FIXING BRACKETS VARY FROM DOOR TO DOOR



Drawn by SCOTT TAYLOR	Checked by -	Approved by -	Date 1-FEB-2009	Scale NTS - A3 L
THIS DRAWING IS INTELLECTUAL PROPERTY OF: TBI TRU-BILT INDUSTRIES 586 KAIKORAI VALLEY RD, DUNEDIN, NEW ZEALAND <small>All product designs are subject to copyright and cannot be copied in whole or part.</small>		SECTIONAL DOOR CLEARANCE DETAIL		
			Edition 1.0	Sheet -

1 2 3 4 5 6 7 8