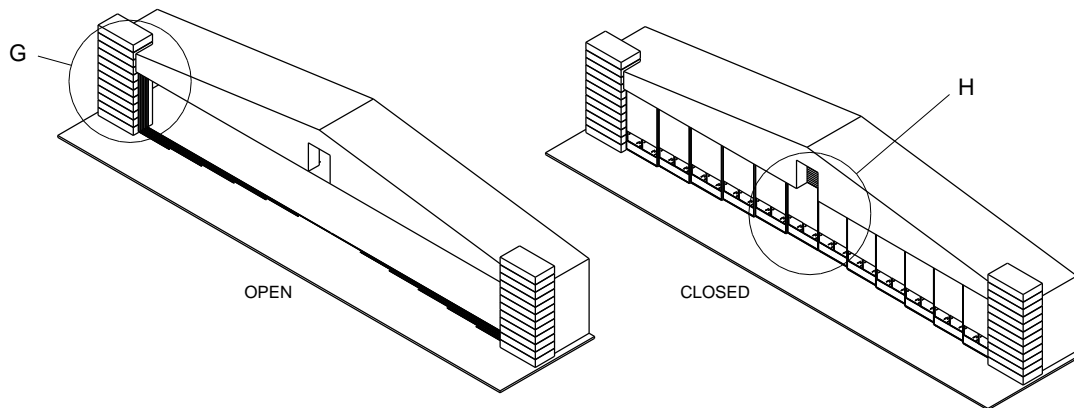
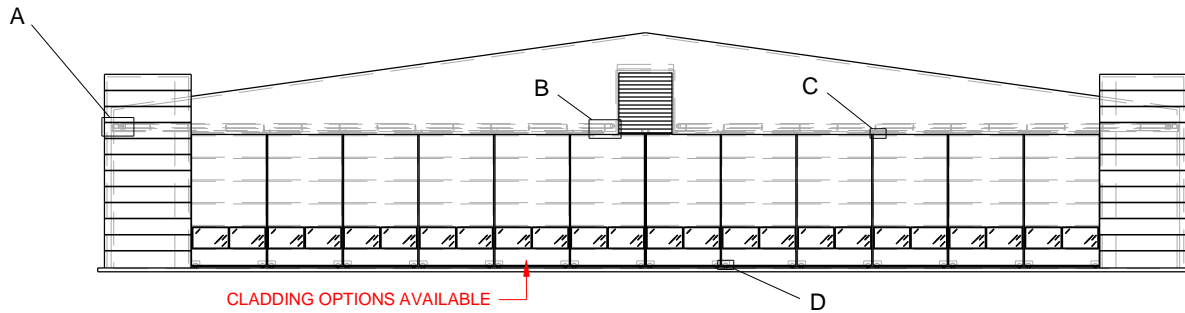
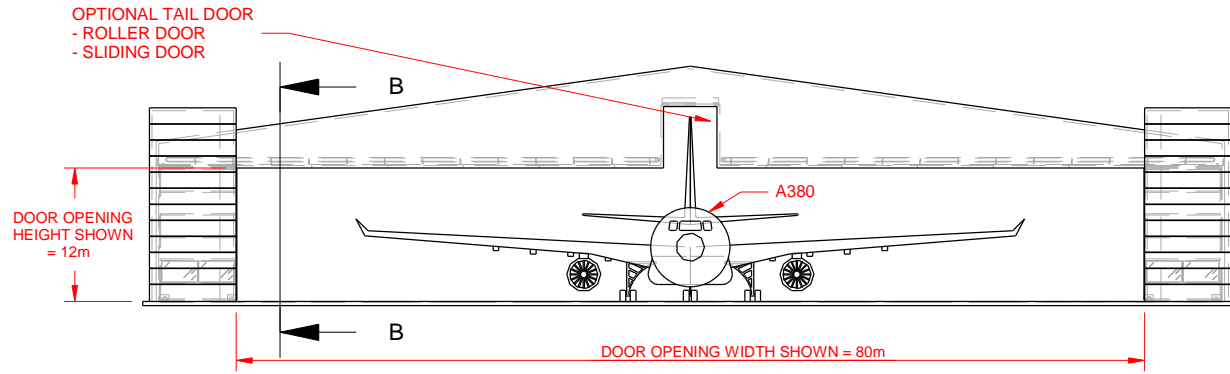
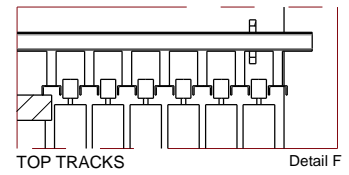
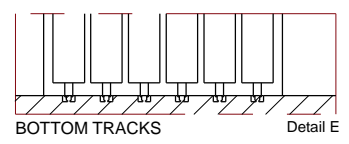
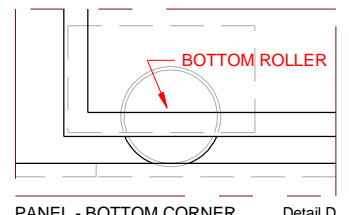
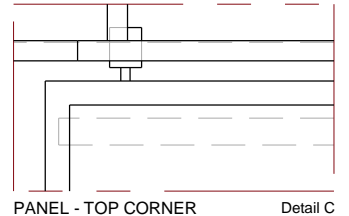
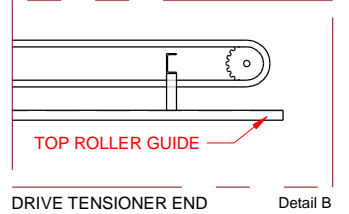
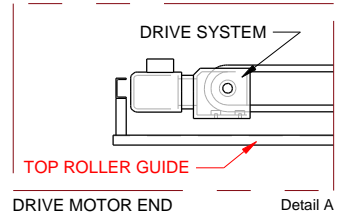
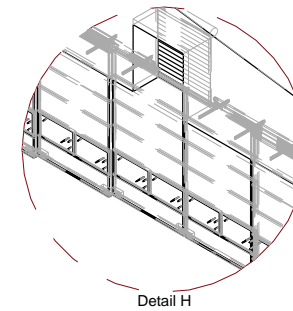
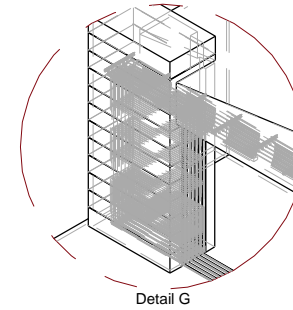
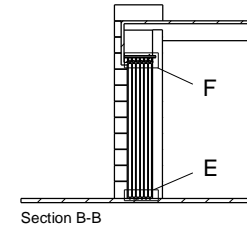


1 2 3 4 5 6 7 8

# TRU-SLIDE™ - SLIDING DOORS



NOTE: DOOR SHOWN IS EXAMPLE ONLY. NOT TO BE USED FOR DESIGN/CONSTRUCTION.



Drawn by NICK SLEEMAN	Checked by -	Approved by -	Date 4-OCTOBER-2011	Scale NTS - A3 L
THIS DRAWING IS INTELLECTUAL PROPERTY OF: <b>TBI TRU-BILT™ INDUSTRIES</b> 586 KAIKORAI VALLEY RD, DUNEDIN, NEW ZEALAND <small>All product designs are subject to copyright and cannot be copied in whole or part.</small>		<b>GENERIC DOOR DETAILS</b>		
		<b>TRU-SLIDE</b>	Edition 1.0	Sheet -

1 2 3 4 5 6 7 8