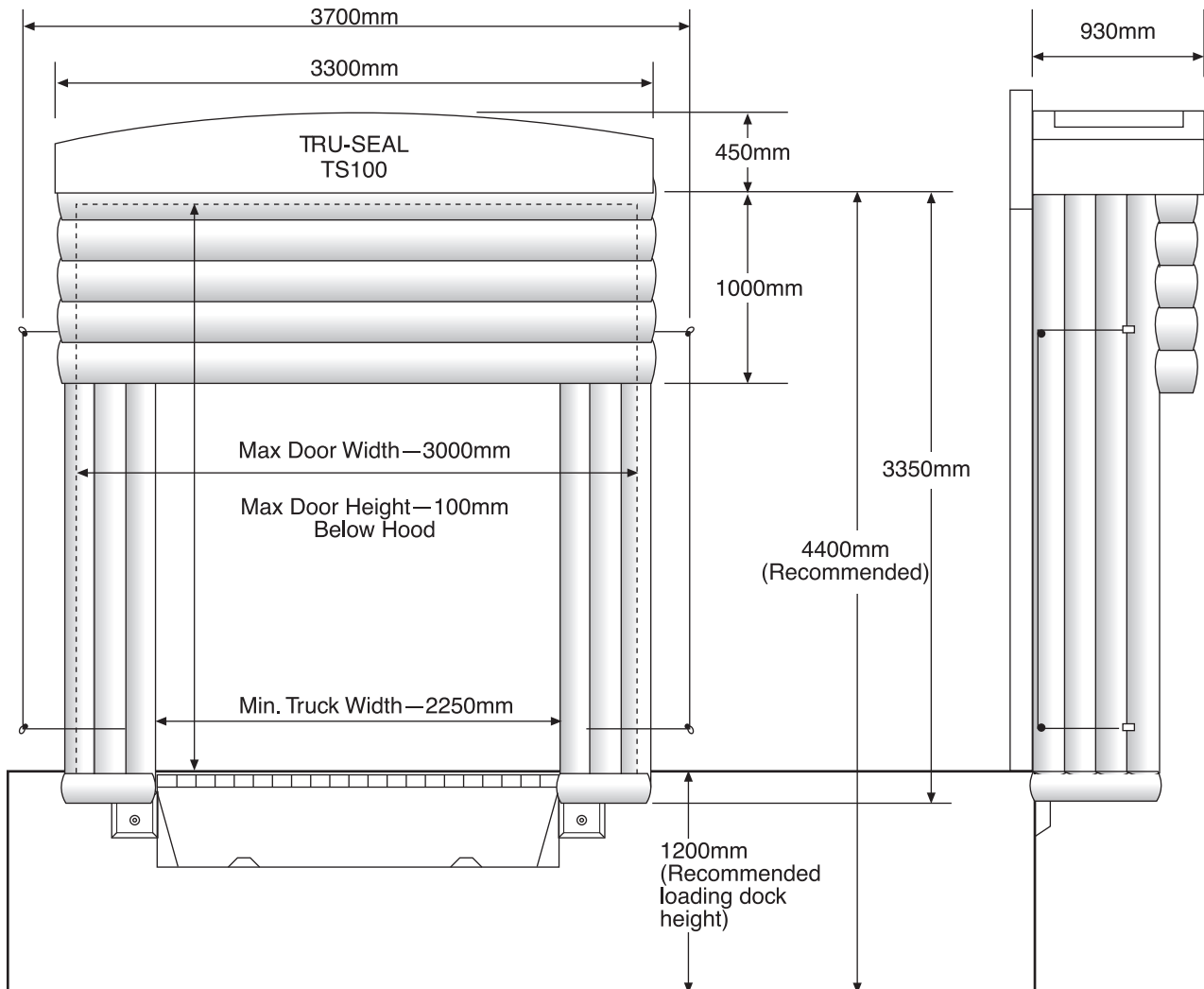


# Tru-Seal™ TS101

## Inflatable Dock Seal

### INSTALLATION & OWNERS MANUAL



Truck Capacity: Height—3400mm to 4250mm  
 (If mounted at 4400mmH under hood)  
 Width—2250mm to 2500mm

Max Door Size: Height—up to 100mm below hood  
 Width—up to 3000mm  
 (See dotted line on drawing above)

Power supply req: 230 volt, 1 phase, 0.7 amp  
 (Control switch not supplied)

PACKED BY:	DATE: / /
INSTALLED BY:	DATE: / /

*(Please leave with owners when finished)*

**TBI TRU-BILT INDUSTRIES**  
 THE DOCK AND DOOR COMPANY THAT CARES

# TS101 PACKING LIST

Item	Qty	Check
Front Panel	1	<input type="checkbox"/>
Left Side Panel	1	<input type="checkbox"/>
Right Side Panel	1	<input type="checkbox"/>
Curved Awning Rail	1	<input type="checkbox"/>
Awning Rails	2	<input type="checkbox"/>
Top Air Bag Assembly	1	<input type="checkbox"/>
Counter Weight	1	<input type="checkbox"/>
Canvas Roof	1	<input type="checkbox"/>
Left Air Bag	1	<input type="checkbox"/>
Right Air Bag	1	<input type="checkbox"/>
Fan/Motor Assembly	1	<input type="checkbox"/>
Air Ducts	2	<input type="checkbox"/>
Parts Bag	1	<input type="checkbox"/>

# CONTENTS

Safety Warnings.....	3
Installation Instructions.....	4–9
Wiring Instructions .....	9
Operating Instructions.....	10
Warranty .....	10
Maintenance.....	11
Trouble Shooting.....	11

# PREFACE

- The installation of Tru-Seal is reasonably basic if you follow the fitting instructions carefully.
- A selection of basic hand and power tools will be required depending on the type of fixing available.
- A small selection of fasteners will also be required in addition to those supplied with the kit. Mushroom bolts or similar are needed to fix the main structure to the building and other fastenings are required for other components.
- A scaffold is also necessary for safe installation. We recommend a platform height of 3.4m to 3.6m. A safety handrail must be used.

# SAFETY WARNING

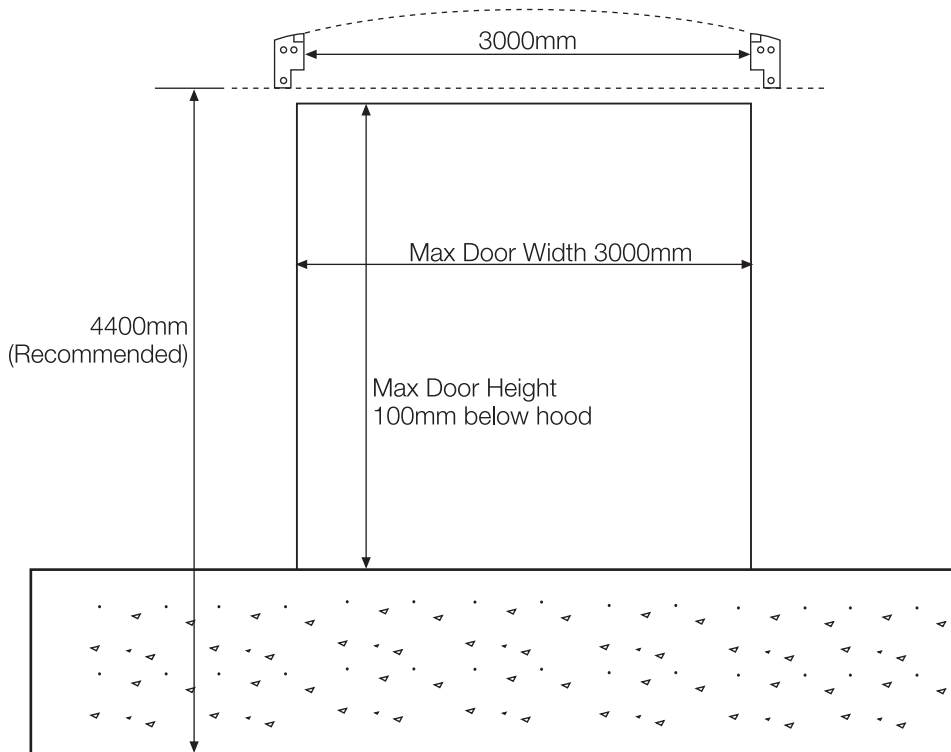


- All necessary safety precautions must be carried out to ensure a safe working environment for yourself and those around you.
- Precautions must be taken to prevent people from being injured from falling objects.
- All electrical work and electrical connection of the fan, must be carried out by a fully qualified electrician.

**WARNING:** *Failure to follow precautions in this manual may result in severe personal injury or death.*

# ONE

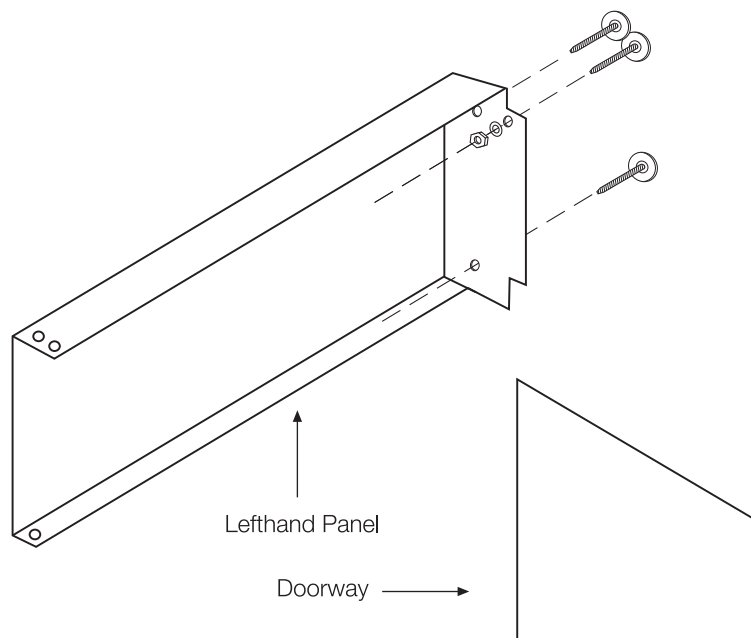
Locate and mark out the position for the side panels as given below. The door opening size must not exceed the dimensions outlined below.



# TWO

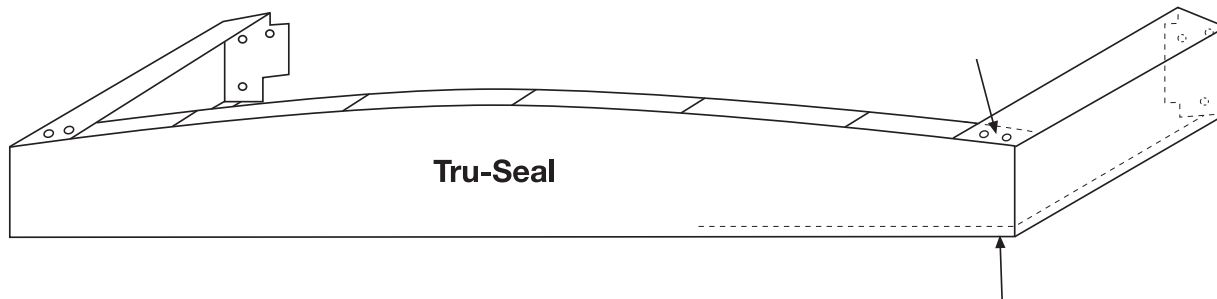
Fix side panels to the wall using suitable fastenings. (Supplied by installer).

E.g., Mushroom bolts for polypanel, coach screws for timber.



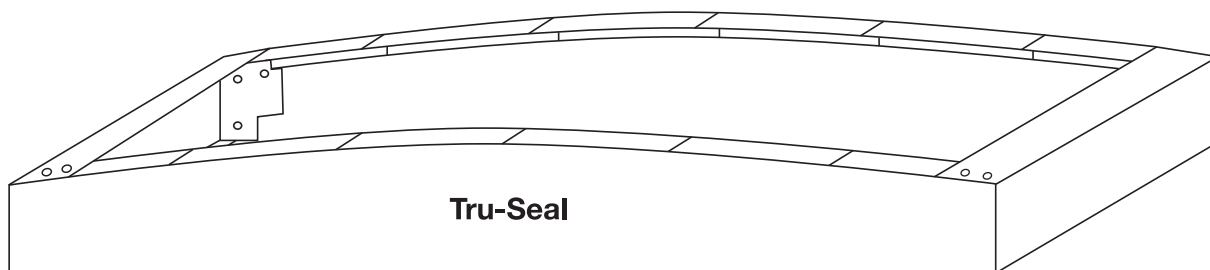
# THREE

Lift front panel into place taking care not to mark or scratch the front face. Bolt the front panel on to the side panel using the M8 x 25mm bolts supplied.



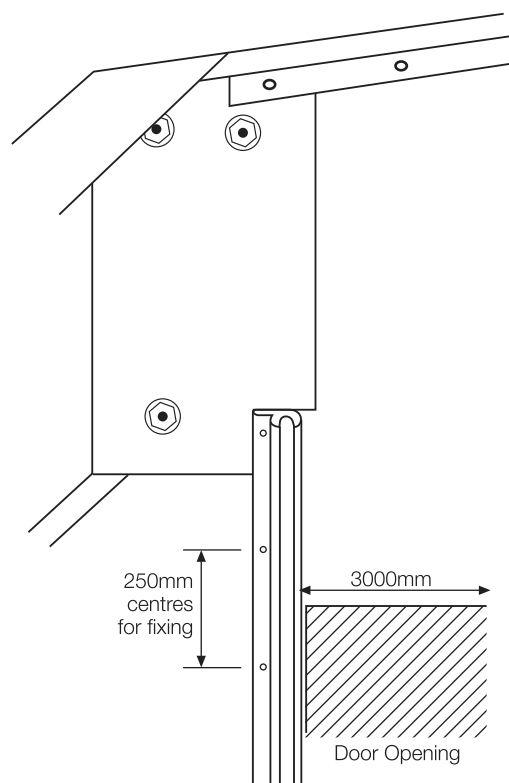
# FOUR

Fix the back roof support (curved awning rail) into place using suitable fastenings. E.g., Rivets for polypanel, screws for timber.



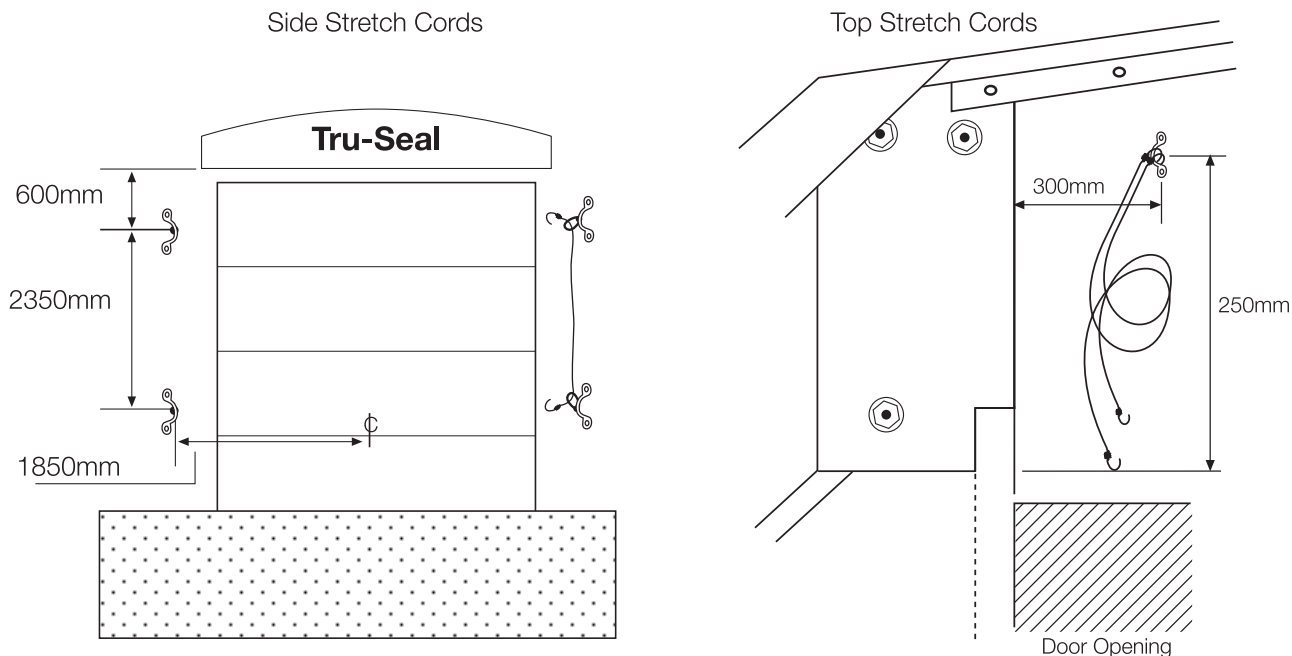
# FIVE

Fix the awning rails to each side of the opening. These should be 3000mm apart and fit into the corner cut-out of the side panel.



# SIX

Fix the stainless steel saddles in place for the stretch cords as follows.



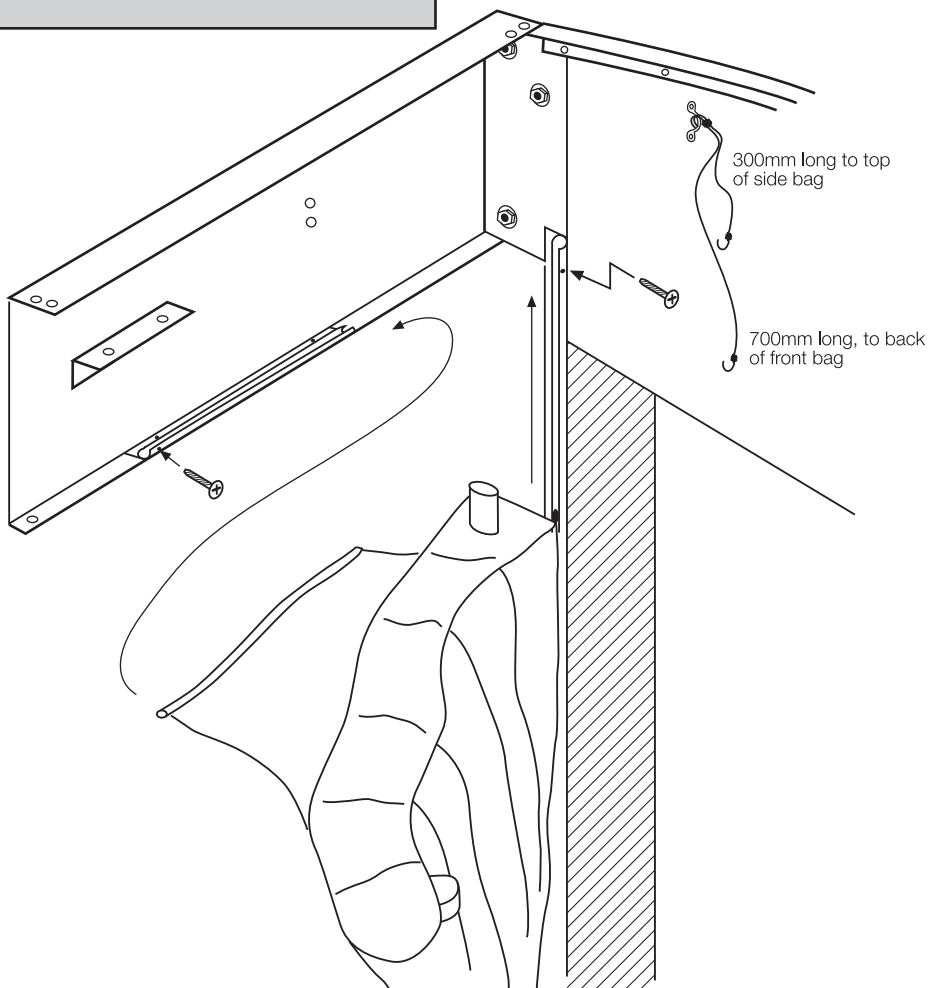
- Important:**
- This anchor point has two stretch cords attached to it.
  - One at 300mm that clips to the side bag
  - One at 700mm that clips to the top bag.

# SEVEN

Slide the side bags into the awning rails and secure them in place with a screw (supplied) near the top of the rail.

Be sure you have the lefthand bag on the lefthand side and the righthand on the right.

Slide the flap (at the top of each side bag) into the awning rail on the lower edge on the side panel. Secure in place with a screw (supplied).



# EIGHT

Attach the stretch cords to the loops on the bags.

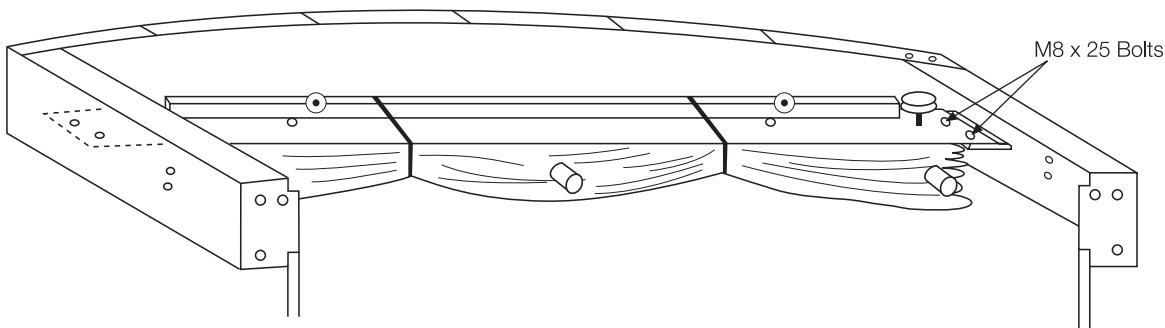
The stretch cords will pull the bags back from the door opening.

# NINE

Lift the top bag and bag support into place and fix securely using the M8 x 25mm bolts supplied. (two each end)

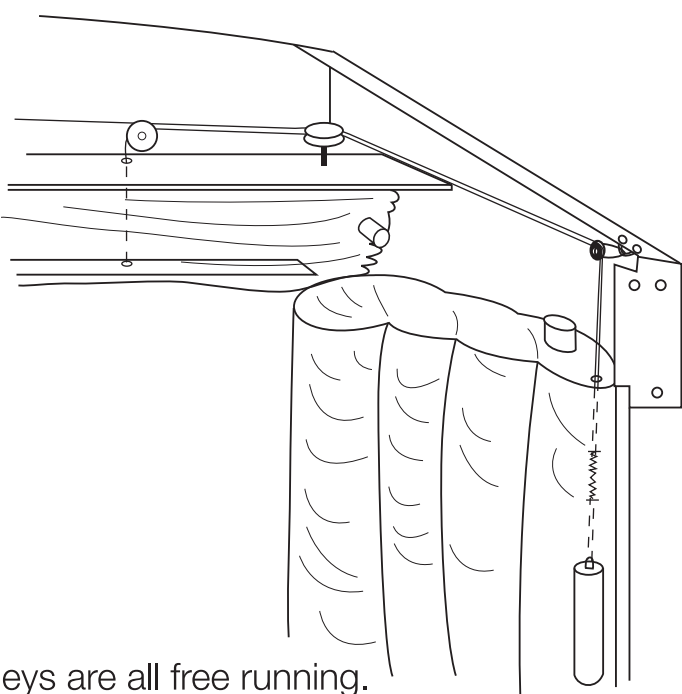
Make sure you have the three air duct sleeves facing the wall.

**Important:** Leave strapping around the bag until the counter weight is in Place.



# TEN

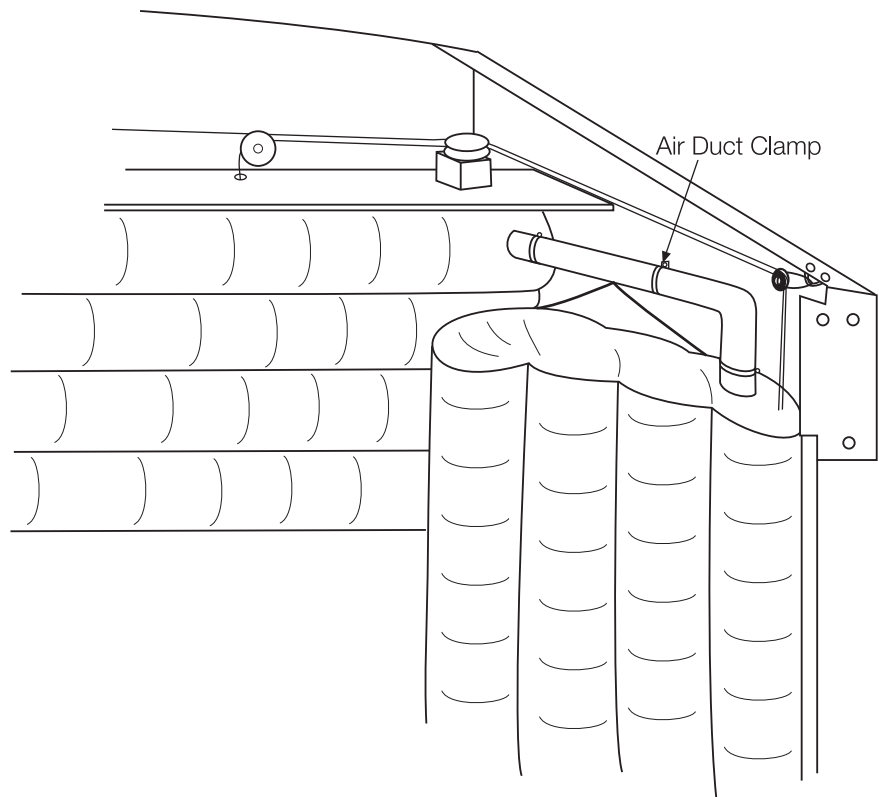
- A. Thread the ropes around and over the double pulley. Ensure ropes are not crossing over each other, as this may cause them to wear.
- B. Feed ropes through the eyelet in the top of LH bag and out through the zip.
- C. Tie the ropes to the counter-weight and let it hang beside the lefthand bag.
- D. Remove the strapping from around the top bag.
- E. Lift the counterweight up and down to ensure everything is running freely and ensure the top bag is lifting up level. Adjust ropes if necessary.
- F. Lower the counterweight through the zip into the lefthand bag and close the zip.



**Important:** Make sure the rope and pulleys are all free running.

# ELEVEN

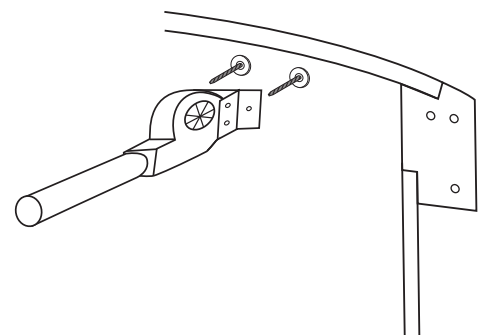
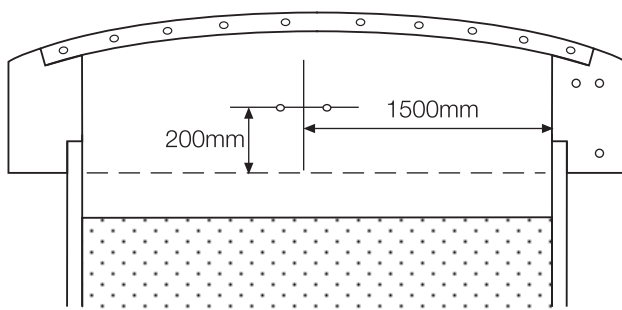
Fit the air duct clamp to the side panel as shown below. Connect the air ducts from the top bag to the side bag. Make sure you pull the sleeves fully on to the air ducts so the air flow will not be restricted. Tighten hose clamps firmly.



# TWELVE

Mark out the position on the wall where the fan is to be mounted and bolt the fan assembly into place.

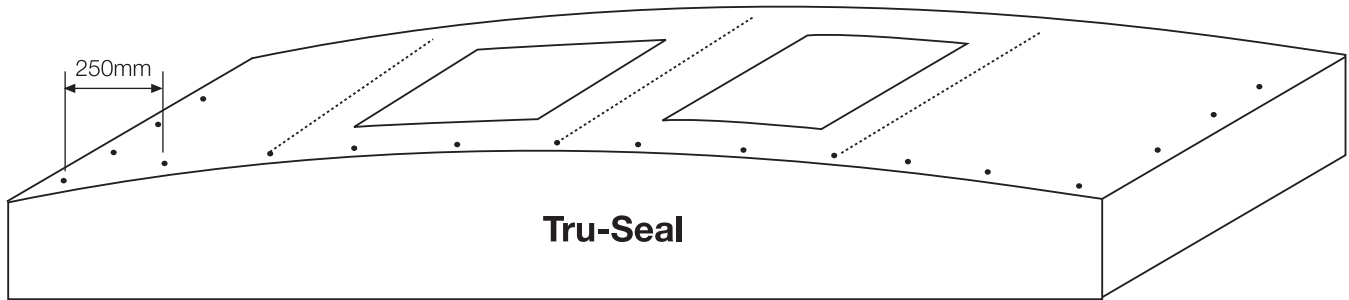
Connect the main air duct to the top bag making sure the air flow will not be restricted.



# THIRTEEN

Slide the roof into the curved awning rail. Use the large head rivets supplied to secure the sides and front of the roof.

Rivets should be spaced about 250mm apart.



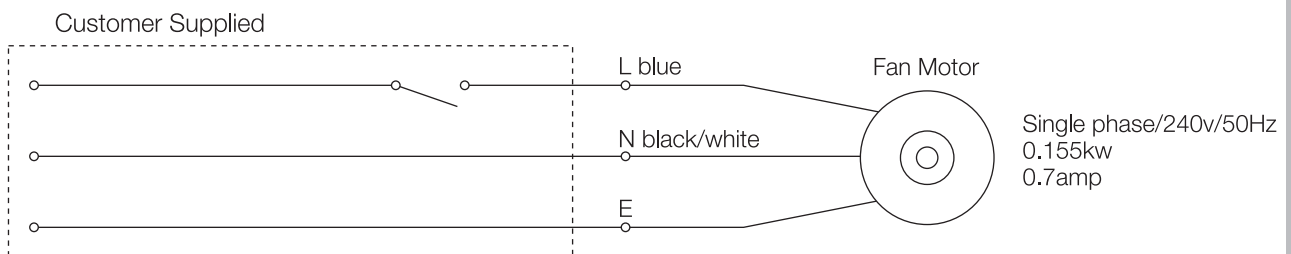
**Important:** Make sure the roof is tight to prevent water pooling on the windows.

# FOURTEEN

Your Tru-Seal should now be complete and several trial runs may be needed to ensure everything is functioning correctly once the fan has been wired up.

# WIRING INSTRUCTIONS

**WARNING!** The electrical connection to the fan must be left entirely to a fully qualified electrician.



# OPERATING INSTRUCTIONS

## ONE

Be sure your Tru-Seal is not inflated before the truck is reversed up to the dock, otherwise the truck may puncture or damage your Tru-Seal.

## TWO

Be sure your Tru-Seal is easily accessible for the truck and the truck is centred between the side bags of your Tru-Seal.

## THREE

Once the truck is in place at the dock, your Tru-Seal is ready to inflate (turn on).

## FOUR

After the truck is finished loading/unloading, the Tru-Seal must be deflated (turned off) before the truck moves off.

## FIVE

Check your Tru-Seal for any damage after each use.

## WARRANTY

Tru-Bilt Industries warrants that this Tru-Seal will be free from defects in material and workmanship under normal use for a period of one year from the date of installation, provided the purchaser maintains and operates the Tru-Seal in accordance with the owners manual.

This warranty does not cover any failure or damage caused by improper use or abuse. Contact your supplier/installer for warranty details.

# GENERAL MAINTENANCE

Your Tru-Seal has been designed for heavy-duty use with a minimum of maintenance needed.

However, it can be damaged if used carelessly so we recommend that you inspect your Tru-Seal every 3–6 months for damage. If repair is needed, it is important to get it done as soon as possible. If left, it will only cost your company more in the long run.

Should a problem arise, refer to the “Trouble Shooting” section.

# TROUBLE SHOOTING

<b>PROBLEM</b>	<b>CORRECTION</b>
<b>Fan noise or vibration</b>	Should there be any abnormal noise coming from the fan, disconnect the power supply immediately. Check that the fan can turn freely and is free from any obstruction. Check mounting bolts are tight.
<b>Ripped Air Bags</b>	Replacement air bags or repair kits are available from your Tru-Seal supplier.
<b>Air Bags not inflating correctly</b>	If any of the bags are inflating slowly or not at all, check the air flow through the air ducts is not restricted. (see number eleven of the installation instructions).
<b>Top air bag not extending or retracting correctly</b>	Check the counterweight ropes are not worn or tangled and ensure they are running freely around the pulleys. (see number eleven of the installation instructions).

*Warning: All electrical repairs should be carried out by a fully qualified electrician.*

**AREA AGENT**

**TRU-BILT INDUSTRIES LTD**  
586 Kaikorai Valley Road, Dunedin 9011, New Zealand  
Phone: +64 3 488 2060, Fax: +64 3 488 2061